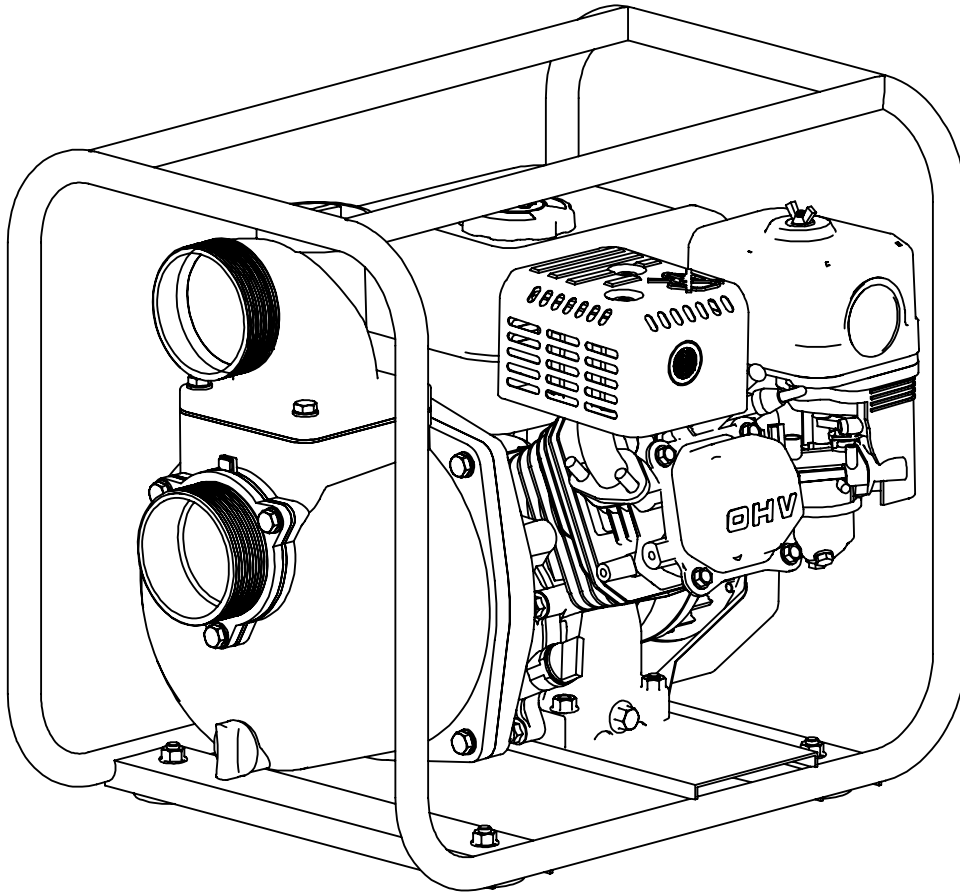




Operator's Manual  
Original Operating Instructions  
**Water Pumps**  
**WP6520 and WP6530**



**WP6520 (SHOWN)**

Includes models:  
WP6520 (shown)  
WP6530

**INTRODUCTION**

Congratulations on your investment in quality. Thank you for purchasing a water pump from Earthquake. We have worked to ensure that the pump meets the highest standards for usability and durability. With proper care, your pump will provide many years of service.

**Please read this entire manual before installation and use. Earthquake reserves the right to change, alter or improve the product and this document at any time without prior notice.**

**CONTENTS**

Introduction ..... 2  
 Warnings and Safety Precautions..... 3-6  
 Installation ..... 7  
 Operation ..... 8  
 Maintenance and Storage..... 9  
 Troubleshooting and Repair..... 10-11  
 Parts Breakdown..... 12-14  
 Warranty ..... 15

**FEDERAL EMISSION INFORMATION**

Ardisam warrants to the retail purchaser, that this small, off-road engine was designed, built and equipped to conform at the time of initial sale to all applicable regulations of the U.S. Environmental Protection Agency (EPA).

**REGISTRATION, SERVICE AND MAINTENANCE LOG**

Record the model number and serial number in the space provided for easy reference (**see serial number location in figure 1**). Warranty is valid only if the completed registration is received by Earthquake within 30 days of purchase. You can register your warranty online by visiting [www.getearthquake.com](http://www.getearthquake.com). If you do not have a computer, call our customer service department at (800) 345-6007 Monday through Friday from 8 a.m. to 5 p.m. CST.

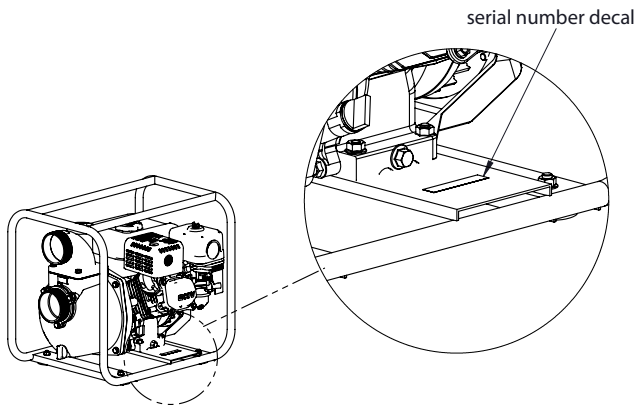


Figure 1

OWNERSHIP RECORDS		
Owner's Name:		
Owner's Address:		
City:	State/Province:	Zip Code/Postal Code:
Model Number:	Serial Number:	
Date of Purchase:		
Notes:		

This manual may contain information for several models. Read and keep this manual for future reference. This manual contains important information on SAFETY, ASSEMBLY, OPERATION, AND MAINTENANCE. The owner must be certain that all the product information is included with the unit. This information includes the MANUAL, the REPLACEMENT PARTS and the WARRANTIES. This information must be included to make sure state laws and other laws are followed. This manual should remain with the engine even if it is resold.

## WARNINGS AND SAFETY PRECAUTIONS

### OPERATOR'S RESPONSIBILITY

Accurate assembly and safe and effective use of the machine is the operator's responsibility.

- Read and follow all safety instructions.
- Carefully follow all assembly instructions.
- Maintain the machine according to directions and schedule included in this Earthquake operator's manual.
- Ensure that anyone who uses the machine is familiar with all controls and safety precautions.

### SPECIAL MESSAGES

Your manual contains special messages to bring attention to potential safety concerns, machine damage as well as helpful operating and servicing information. Please read all the information carefully to avoid injury and machine damage.

**NOTE:** *General information is given throughout the manual that may help the operator in the operation or service of the machine.*



This symbol points out important safety instructions which if not followed could endanger your personal safety.

### BEFORE OPERATING ENGINE:

**Please read this section carefully.** Read entire operating and maintenance instructions for this product and the engine which accompanies it. Failure to follow instructions could result in serious injury or death. Operate the machine according to the safety instructions outlined here and inserted throughout the text. Anyone who uses this machine must read the instructions and be familiar with the controls.

### WARNING

**DO NOT USE TO PUMP FLAMMABLE OR EXPLOSIVE FLUIDS SUCH AS GASOLINE, FUEL OIL, KEROSENE, ETC. DO NOT USE IN FLAMMABLE AND/OR EXPLOSIVE ATMOSPHERES. PUMP SHOULD ONLY BE USED TO PUMP WATER. FAILURE TO FOLLOW THIS WARNING CAN RESULT IN PERSONAL INJURY AND/OR PROPERTY DAMAGE.**

### WARNING

**WARNING INDICATES A HAZARD WHICH, IF NOT AVOIDED, COULD RESULT IN DEATH OR SERIOUS INJURY AND/OR PROPERTY DAMAGE.**

### CAUTION

**CAUTION INDICATES YOU CAN BE HURT OR YOUR EQUIPMENT DAMAGED IF THE SAFETY INSTRUCTIONS THAT FOLLOW THIS SIGNAL WORD ARE NOT OBEYED.**

### IMPORTANT

**INDICATES HELPFUL INFORMATION FOR PROPER ASSEMBLY, OPERATION, OR MAINTENANCE OF YOUR EQUIPMENT.**

### WARNING

#### **CALIFORNIA PROPOSITION 65 WARNING**

**ENGINE EXHAUST FROM THIS PRODUCT CONTAINS CHEMICALS KNOWN TO THE STATE OF CALIFORNIA TO CAUSE CANCER, BIRTH DEFECTS, OR OTHER REPRODUCTIVE HARM.**

### WARNING

**YOU MUST READ, UNDERSTAND AND COMPLY WITH ALL SAFETY AND OPERATING INSTRUCTIONS IN THIS MANUAL BEFORE ATTEMPTING TO SETUP AND OPERATE YOUR MACHINE.**

**FAILURE TO COMPLY WITH ALL SAFETY AND OPERATING INSTRUCTIONS CAN RESULT IN LOSS OF MACHINE CONTROL, SERIOUS PERSONAL INJURY TO YOU AND/OR BYSTANDERS, AND RISK OF EQUIPMENT AND PROPERTY DAMAGE. THE TRIANGLE IN THE TEXT SIGNIFIES IMPORTANT CAUTIONS OR WARNINGS WHICH MUST BE FOLLOWED.**

### Intended Use / Foreseeable Misuse

This is a motorized, water pump used for removing and disposing of excess water. It is user controlled. It has a petrol-fuelled internal combustion engine that powers the pump. It shall not be used for any other purpose.

**GENERAL SAFETY RULES**

- Read, understand, and follow all instructions on the machine and in the manual(s). Be thoroughly familiar with the controls and the proper use of the machine before starting.
- Use this equipment for its intended purpose only.
- Familiarize yourself with all of the safety and operating decals on this equipment and on any of its attachments or accessories.
- Do not put hands or feet near or under rotating parts.
- Only allow responsible individuals who are familiar with the instructions to operate the machine. Do not allow children to operate this machine. Do not allow adults to operate the machine without proper instruction.
- Thoroughly inspect the area where the machine is to be used and remove all foreign objects. Your equipment can propel small objects at high speed causing personal injury or property damage. Stay away from breakable objects, such as house windows, automobile, greenhouses, etc.
- Wear appropriate clothing such as a long-sleeved shirt or jacket. Also wear long trousers or slacks. Do not wear shorts. Never wear sandals, sneakers, or open shoes, and never operate the machine with bare feet.
- Do not wear loose clothing or jewelry. They can get caught in moving parts. Always keep hands, feet, hair and loose clothing away from any moving parts on engine and machine.
- Always wear safety goggles or safety glasses with side shields when operating the machine to protect your eyes from foreign objects which can be thrown from the unit. Always wear a protective hearing device.
- Always wear work gloves and sturdy footwear. Wear footwear that will improve footing on slippery surfaces. Leather work shoes or short boots work well for most people. These will protect the operator's ankles and shins from small sticks, splinters, and other debris.
- It is advisable to wear protective headgear to prevent the possibility of being struck by small flying particles, or being struck by low hanging branches, twigs, or other objects which may be unnoticed by the operator.
- Do not operate the machine without proper guards or other safety protective devices in place.
- See manufacturer's instructions for proper operation and installation of accessories. Only use accessories approved by the manufacturer.
- Operate only in daylight or good artificial light.
- Do not operate product when fatigued or under the influence of alcohol, drugs or other medication which can cause drowsiness or affect your ability to operate this machine safely.

- Watch for traffic whenever you are operating near, or when crossing roads.
- If the equipment should start to vibrate abnormally, stop the engine (motor), disconnect the spark plug wire and prevent it from touching the spark plug. Check immediately for cause. Vibration is generally a warning of trouble. If the noise or vibrations of the machine increase, stop immediately and perform an inspection.
- Never leave the machine unattended when the engine is running. Remove the wire from the spark plug.
- Regularly inspect the machine. Make sure parts are not bent, damaged or loose.
- Temperature of muffler and nearby areas may exceed 150° F (65° C). Allow muffler and engine areas to cool before touching. Never pick up or carry the machine while the engine is running.
- Prolonged exposure to noise and vibration from gasoline engine-powered equipment should be avoided. Take intermittent breaks and/or wear ear protection from engine noise as well as heavy work gloves to reduce vibration in the hands.
- Keep all screws, nuts and bolts tight.
- Do not transport the machine from one place to another with the engine running.
- Check local regulations for age restrictions on use of this machine.

**PRODUCT-SPECIFIC SAFETY RULES**

- Never attempt to operate the pump without priming water.
- If an object becomes lodged in the pump, turn engine off, remove the wire from the spark plug and secure, allow to cool before attempting to remove the foreign object.
- Do not use torches or apply excessive heat, fire or flames to this pump as an explosion may result.
- Complete pump and piping system **MUST** be protected against freezing temperatures. Failure to do so could cause serious damage and voids the warranty.
- Do not run pump dry. Water is required to lubricate the shaft seal.
- Pumping chemicals or corrosive liquids with this pump may shorten the life of the pump and be hazardous to the operator.
- Always use a suction strainer with this pump to filter large material.
- Pump should be located and should rest on solid foundation. Do not suspend pump by means of the discharge pipe.

## ENGINE SAFETY PRECAUTIONS

### Warning Carbon Monoxide Poisoning

Engines give off carbon monoxide, an odorless, colorless, poisonous gas. Carbon monoxide may be present even if you do not smell or see any engine exhaust. Breathing carbon monoxide can cause nausea, fainting or death, in addition to drowsiness, dizziness and confusion. If you experience any of these symptoms, seek fresh air and medical attention immediately.

If your product comes with a separate engine manual, be sure to read and follow all safety and warning precautions outlined there, in addition to any in this manual.

### Preventing Carbon Monoxide Poisoning

- Always start and run engine outdoors. Do not start or run engine in an enclosed area, even if doors or windows are open.
- Never try to ventilate engine exhaust indoors. Carbon monoxide can reach dangerous levels very quickly.
- Never run engine outdoors where exhaust fumes may be pulled into a building.
- Never run engine outdoors in a poorly ventilated area where the exhaust fumes may be trapped and not easily taken away. (Examples include: in a large hole or areas where hills surround your working area.)
- Never run engine in an enclosed or partially enclosed area. (Examples include: buildings that are enclosed on one or more sides, under tents, car ports or basements.)
- Always run the engine with the exhaust and muffler pointed in the direction away from the operator.
- Always keep the throttle in the "slow" position when not in use.
- Never point the exhaust muffler towards anyone. People should always be many feet away from the operation of the engine and its attachments.
- Do not change the engine governor settings or over-speed the engine.

### Gasoline Fires and Handling Fuel Safely

Use extra care in handling gasoline and other fuels. They are flammable and vapors are explosive.

- When storing extra fuel be sure that it is in an appropriate container and away from any fire hazards.
- Prevent fire and explosion caused by static electric discharge. Use only nonmetal, portable fuel containers approved by the Underwriter's Laboratory (U.L.) or the American Society for Testing & Materials (ASTM).
- Always fill fuel tank outside in a well ventilated area. Never fill your fuel tank with fuel indoors. (Examples include: basement, garage, barn, shed, house, porch, etc.) Never fill tank near appliances with pilot lights, heaters, or other ignition sources. If the fuel has to be drained, this should

## WARNING

**ENGINES GIVE OFF CARBON MONOXIDE, AN ODORLESS, COLORLESS, POISONOUS GAS. CARBON MONOXIDE MAY BE PRESENT EVEN IF YOU DO NOT SMELL OR SEE ANY ENGINE EXHAUST. BREATHING CARBON MONOXIDE CAN CAUSE NAUSEA, FAINTING OR DEATH, IN ADDITION TO DROWSINESS, DIZZINESS AND CONFUSION.**

**IF YOU EXPERIENCE ANY OF THESE SYMPTOMS, SEEK FRESH AIR AND MEDICAL ATTENTION IMMEDIATELY.**

## CAUTION

**HOT GASES ARE A NORMAL BY-PRODUCT OF A FUNCTIONING CATALYTIC CONVERTER. FOLLOW ALL SAFETY INSTRUCTIONS TO PREVENT BURNS AND FIRES.**

### DO NOT ALTER/MODIFY ENGINE:

**NEVER ALTER OR MODIFY THE ENGINE FROM THE FACTORY. SERIOUS INJURY OR DEATH MAY OCCUR IF ENGINE IS MODIFIED OR ALTERED.**

**WHEN WORKING ON OR REPLACING PARTS FOR THE ENGINE OR PRODUCT, YOU MUST ALWAYS DISCONNECT SPARK PLUG WIRE FROM THE SPARK PLUG AND KEEP IT AWAY FROM THE SPARK PLUG.**

be done outdoors. The drained fuel should be stored in a container specifically designed for fuel storage or it should be disposed of carefully.

- Never remove the fuel cap or add fuel with the engine running. Stop engine and allow to cool before filling.
- Do not smoke while handling fuel or operating pump.
- Never drain fuel from engine in an enclosed area.
- Always wipe up excess (spilled) fuel from engine before starting. Clean up spilled fuel immediately. If fuel is spilled, do not start the engine but move product and fuel container from area. Clean up spilled fuel and allow to evaporate and dry after wiping and before starting.
- Allow fuel fumes/vapors to escape from the area before starting engine.
- Test the fuel cap for proper installation before starting and using engine.
- Always run the engine with fuel cap properly installed on the engine.
- Always unscrew fuel cap vent screw while engine is running.
- Do not store engine with fuel in fuel tank indoors. Fuel and fuel vapors are highly explosive.

- During storage, screw down fuel cap vent screw tightly.
- Never pour fuel from engine fuel tank.
- Never siphon fuel by mouth to drain fuel tank.
- Always have an adult fill the fuel tank and never allow children to fill the engine.
- Never allow an adult or anyone under the influence of drugs or alcohol to fill engine.
- When storing gasoline or equipment with fuel in the tank, store away from furnaces, stoves, water heaters or other appliances that have a pilot light or other ignition source because they can ignite gasoline vapors.

## **BURNS AND FIRES**

The muffler, muffler guard and other parts of the engine become extremely hot during the operation of the engine. These parts remain extremely hot after the engine has stopped.

### **Prevention of Burns and Fires**

- Never remove the muffler guard from the engine.
- Never touch the muffler guard because it is extremely hot and will cause severe burns.
- Never touch parts of the engine that become hot after operation.
- Always keep materials and debris away from muffler guard and other hot parts of the engine to avoid fires.
- This engine is designed to operate using a catalytic converter which contributes to the engine's compliance with the EPA.

## **CHILDREN AND BYSTANDERS**

Tragic accidents can occur if the operator is not alert to the presence of children and/or bystanders. Never assume that others will remain where you last saw them.

- Keep the area of operation clean of all persons, especially small children and pets. Keep children under the watchful care of a responsible adult.
- Be alert and turn machine off if children enter the area.
- Before and while moving backwards, look behind and down for small children.
- Never allow children to operate the machine.
- Use extra care when near blind corners, shrubs, trees, or other objects that may obscure vision.

## **SERVICE**

- Always stop the engine whenever you leave the equipment, before cleaning, repairing or inspecting the unit. Engine should be turned off and cool, spark plug wire must be removed from spark plug before any repairs or adjustments are attempted. Never make adjustments or repairs with the engine (motor) running. Disconnect the spark plug wire, and keep the wire away from the plug to prevent accidental starting. Remove the ignition key if equipped with an electric start.
- Always wear eye protection when you make adjustments or repairs.
- Keep all nuts and bolts tight and keep equipment in good condition.
- Never tamper with safety devices. Check their proper operation regularly.
- When servicing or repairing the machine, do not tip the machine over or up unless specifically instructed to do so in this manual. Service and repair procedures can be done with the machine in an upright position. Some procedures will be easier if the machine is lifted on a raised platform or working surface.
- To reduce fire hazard, keep machine free of grass, leaves, or other debris build-up. Clean up oil or fuel spillage. Allow machine to cool before storing.
- Stop and inspect the equipment if you strike an object. Repair, if necessary, before restarting.
- Clean and replace safety and instruction decals as necessary.
- To guard against engine over-heating, always have engine debris filter mounted and clean.
- Inspect machine before storage. When not in use, disconnect spark plug lead and store indoors in a dry place locked or otherwise inaccessible to children.
- Use only original equipment parts from Earthquake, including all nuts and bolts.

## INSTALLATION

### UNPACK PUMP

1. Set aside the operators manual and parts bag. Carefully lift the pump out of the box, remove any packing material and cut any ties holding pieces to the pump assembly.

### INSTALLATION

This pump is designed to be self-priming when installed and operated as specified below.

1. The pump should be placed as close as possible to the liquid being pumped. A pump with 20 foot suction lift will not remove water as quickly as a pump with 5 foot suction lift. **SEE FIGURE 2.**

2. Suction hose and fitting must be airtight.

Suction lines must be reinforced hose or rigid pipe. Non-reinforced hose will collapse due to the suction created by the pump and prevent pump from operating.

3. A check valve must be used in the suction line to maintain the self-priming capability. If no check valve is used the pump will need to be primed at the start of each operation. For best operation, the check valve should be installed at the intake of the suction line.
4. A suction strainer is required to filter abrasive material
5. The discharge hose and fitting should not leak. A leak in the discharge hose will allow water to spray out. Water spray could be hazardous.
6. Keep all pipes and hose lines as short and straight as possible. Long lengths and curves in the pipes and hose lines will reduce the pressure the pump develops.

### WARNING

**SUPPORT PUMP AND PIPING WHEN ASSEMBLING AND AFTER INSTALLATION. FAILURE TO DO SO MAY CAUSE PIPING TO BREAK, PUMP TO FAIL, ETC; ALL OF WHICH CAN RESULT IN PROPERTY DAMAGE AND/OR PERSONAL INJURY.**

### CAUTION

**NEVER ADD FUEL WHEN ENGINE IS RUNNING OR HOT FROM OPERATION. NEVER FILL THE TANK INDOORS. DO NOT SMOKE WHEN FILLING FUEL TANK.**

**NEVER FILL FUEL TANK COMPLETELY. FILL TANK TO 1/2" BELOW BOTTOM OF FILLER NECK TO PROVIDE SPACE FOR FUEL EXPANSION. WIPE ANY FUEL SPILLAGE FROM ENGINE AND EQUIPMENT BEFORE STARTING ENGINE.**

**NEVER RUN ENGINE INDOORS OR IN ENCLOSED, POORLY VENTILATED AREAS. ENGINE EXHAUST CONTAINS CARBON MONOXIDE, AN ODORLESS AND DEADLY GAS.**

**KEEP HANDS, FEET, HAIR AND LOOSE CLOTHING AWAY FROM ANY MOVING PARTS ON ENGINE AND EQUIPMENT.**

**TEMPERATURE OF MUFFLER AND NEARBY AREAS MAY EXCEED 150° F. AVOID THESE AREAS.**

**NEVER SYPHON FUEL BY MOUTH.**

### IMPORTANT

**AN AIR LEAK IN THE SUCTION LINE MAY PREVENT PRIMING OF THE PUMP USE OF THREAD SEALANT IS RECOMMENDED.**

### IMPORTANT

**NEVER MIX OIL WITH GASOLINE.**

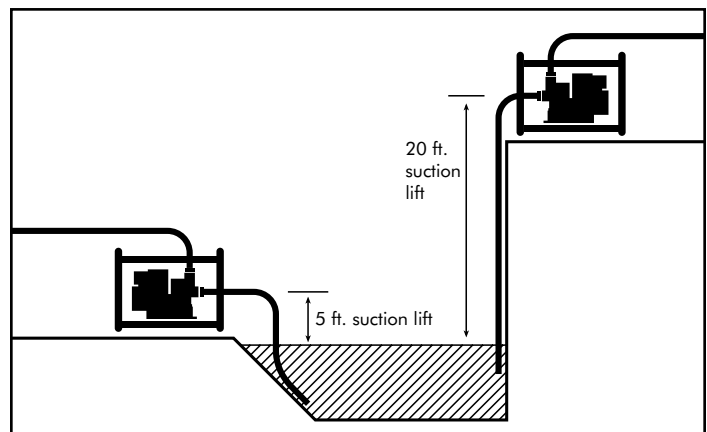


Figure 2

## OPERATION

1. Fill the engine crankcase with oil. Refer to the engine operating manual for the specific grade of oil and amount required.
2. Fill the engine fuel tank with gasoline. Refer to the engine operating manual for specific gasoline type that is most efficient for this engine.
3. Add water to the priming port on the pump (**SEE FIGURE 3**). Continue adding water until the water level is approximately 3 inches from the top. Install the priming plug. The water in the pump will create the suction that primes the pump.
4. Turn fuel valve to 'ON' position.
5. Move choke lever to 'CHOKE' position.
6. Move throttle lever to 'START' position.
7. Pull engine crank until engine starts. Once engine starts, move choke lever to 'RUN' position.

**NOTE: The pump may take several minutes to prime.**

## PIPING

Always place the pump as close as possible to the liquid being pumped. Keep all pipe and hose lines as short and straight as possible.

All suction connections must be airtight. If the pump won't prime, check for leaks in the suction piping or fittings. If flexible suction hose is used instead of pipe, use reinforced hose with a two inch inner diameter. Non-reinforced flexible hose may collapse from the vacuum created as the pump primes.

Always use a strainer at the end of the suction pipe or hose. Position strainer so it doesn't become clogged with stones or debris. A suction line check valve next to strainer is recommended.

Do not use this pump for suction lifts over twenty-five feet.

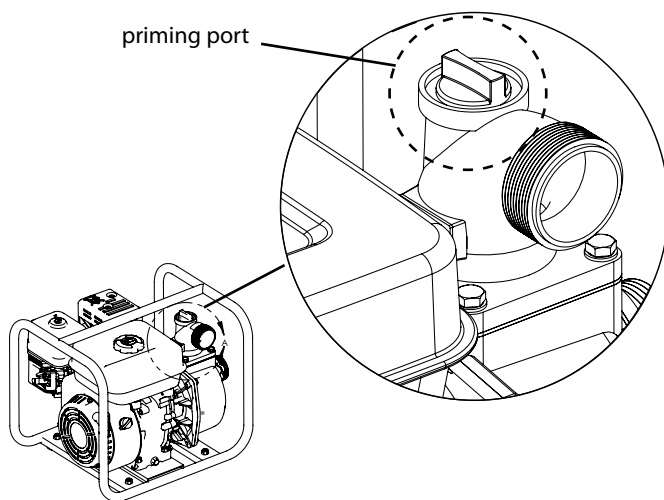


Figure 3

### CAUTION

**DO NOT START YOUR WATER PUMP UNIT UNTIL YOU HAVE READ THE ENGINE MANUAL THAT CAME WITH YOUR ENGINE, AND THE "WARNINGS AND SAFETY PRECAUTIONS" SECTION IN THIS MANUAL. IF YOU HAVE READ THESE, FOLLOW THE STEPS TO START YOUR PUMP UNIT.**

### CAUTION

**NEVER STORE ENGINE WITH FUEL IN THE TANK INDOORS. FUEL AND FUEL VAPORS ARE HIGHLY FLAMMABLE.**

**AN ADULT MUST ALWAYS HANDLE AND FILL THE ENGINE WITH FUEL.**

**ALWAYS HANDLE FUEL IN A WELL VENTILATED AREA, OUTDOORS, AWAY FROM FLAMES OR SPARKS.**

**DO NOT START ENGINE IF FUEL IS SPILLED. WIPE OFF EXCESS FUEL AND ALLOW TO DRY. REMOVE ENGINE FROM AREA TO AVOID SPARKS.**

### CAUTION

**MAKE SURE THE UNIT IS IN A STABLE POSITION BEFORE PULLING THE STARTER HANDLE.**

**IF ENGINE FAILS TO START AFTER TRYING STARTING PROCEDURES, PLEASE CONTACT OUR CUSTOMER SERVICE DEPARTMENT AT 800-345-6007.**

**STARTER ROPE CAN CAUSE AN UNANTICIPATED JERK TOWARDS ENGINE. PLEASE FOLLOW INSTRUCTIONS TO AVOID INJURY.**

**NEVER LEAVE ENGINE RUNNING WHILE UNATTENDED. TURN OFF AFTER EVERY USE.**

**NEVER CARRY PUMP FROM ONE LOCATION TO ANOTHER WHILE ENGINE IS RUNNING.**



## MAINTENANCE AND STORAGE STEPS FOR WORKING ON EQUIPMENT

1. Turn off engine switch.
2. Disconnect the spark plug wire from the spark plug.
3. Securely place the disconnected spark plug wire away from the spark plug and any metal parts. This must always be done or arcing may occur between spark plug wire and metal parts.
4. Replace or repair the part on the pump.
5. Check all parts that were repaired, or removed during repair, that they are secure and fit correctly.

**NOTE: All repair parts must come from the factory. Never replace parts that are not specifically designed for the pump.**

6. Reconnect the spark plug wire.

## PUMP MAINTENANCE

Always shut off the engine, allow the engine to cool, and remove the spark plug before performing any maintenance.

During freezing weather, open the drain port and allow all the water in the pump to drain. This will prevent damage to the pump when the water freezes. If the pump will be stored for a month or more, drain the water from the pump and follow the engine manufacturer's recommendations for long-term storage.

The Viper engine is equipped with a low oil shut off sensor. The engine will shut down and will not restart if the oil level becomes low.

## ENGINE MAINTENANCE

Good maintenance is essential for safe, economical, and trouble-free operation. It will also help reduce air pollution.

Please read the maintenance schedule in the accompanying engine manual and observe these recommendations to extend the life of your pump. The engine manual also outlines routine inspection procedures and simple maintenance procedures using basic hand tools. Service tasks that are more difficult, or require special tools, are best handled by professionals and are normally performed by a technician or other qualified mechanic.

**Maintenance, replacement or repair of the emissions control devices and systems may be performed by any non-road engine repair establishment or individuals. However, items must be serviced by an authorized dealer to obtain "no charge" emissions control service.**

If you operate your engine under unusual conditions, such as sustained high-load or high-temperature operation, or use in unusually wet or dusty conditions, consult your servicing dealer for recommendations applicable to your individual needs and use.

## CAUTION

**PRACTICE SAFETY AT ALL TIMES. ENGINE MUST BE TURNED OFF AND ALLOWED TO COOL, AND SPARK PLUG WIRE MUST BE DISCONNECTED BEFORE ATTEMPTING ANY MAINTENANCE OR REPAIR.**

### **TO PREVENT ACCIDENTAL STARTING:**

**ENGINE MUST BE TURNED OFF AND COOL, AND SPARK PLUG WIRE MUST BE REMOVED FROM SPARK PLUG BEFORE CHECKING AND ADJUSTING ENGINE OR EQUIPMENT.**

**TEMPERATURE OF MUFFLER AND NEARBY AREAS MAY EXCEED 150° F (65° C). AVOID THESE AREAS.**

**CHECK PUMP OFTEN FOR LOOSE NUTS AND BOLTS. KEEP THESE ITEMS TIGHTENED.**

**AN ADULT MUST ALWAYS DO MAINTENANCE AND REPAIR ON ENGINE AND PUMP.**

**ENGINE MUST BE SHUT-OFF, COOL, AND SPARK PLUG WIRE REMOVED BEFORE ANY REPAIR OR MAINTENANCE CAN BE DONE.**

**BEFORE STORING UNIT, DISCONNECT SPARK PLUG WIRE FROM SPARK PLUG AND ATTACH IT TO RETAINING POST.**

**NEVER STORE ENGINE WITH FUEL IN TANK INDOORS OR IN ENCLOSED, POORLY VENTILATED AREAS, WHERE FUEL FUMES MAY REACH AN OPEN FLAME, SPARK OR PILOT LIGHT.**

## TRANSPORTING YOUR PUMP

1. After using the pump and before transporting it in a truck bed, screw the fuel cap on (clockwise) tightly. The fuel cap will not leak during transporting if fuel cap is tight. Never transport engine inside an enclosed space within a vehicle. Fuel or fuel vapors may ignite causing serious injury or death.
2. If fuel is present in the fuel tank, transport in an open vehicle in an upright position.
3. If an enclosed vehicle must be used, remove fuel into an approved red fuel container. DO NOT siphon by mouth.
4. Run engine to use up the fuel in the carburetor and fuel tank. Always run engine in a well ventilated area.
5. Wipe away any spilled fuel from engine and pump. Allow to dry.
6. Fuel cap and fuel cap vent screw should be turned down tightly before transporting pump in a vehicle.

## **TROUBLESHOOTING AND REPAIR**

### **SERVICE INFORMATION**

At Earthquake we build quality and durability into the design of our products; but no amount of careful design by us, and careful maintenance by you, can guarantee a repair-free life for your machine. Most repairs will be minor, and easily fixed by following the suggestions in the "Troubleshooting and Repair" section.

The guide will help you pinpoint the causes of common problems and identify remedies.

For more complicated repairs, contact your place of purchase or Earthquake for an authorized service center in your area. Earthquake will make the necessary repairs if a service center is not available. A parts breakdown is included in toward the end of the manual.

We will always be glad to answer any questions you have, or help you find suitable assistance. To order parts or inquire about warranty, call, write or e-mail us using the contact information found in the "Troubleshooting and Repair" section.

### **ORDERING REPLACEMENT PARTS**

Parts can be obtained from the store where the pump was purchased or direct from the factory. To order parts visit [www.getearthquake.com](http://www.getearthquake.com) or call 1-800-345-6007.

For other general questions, you can e-mail us at [info@ardisam.com](mailto:info@ardisam.com).

Please include the following information with your order:

- 1) Part numbers
- 2) Part description
- 3) Quantity
- 4) Model number and serial number

### **SPARE PARTS**

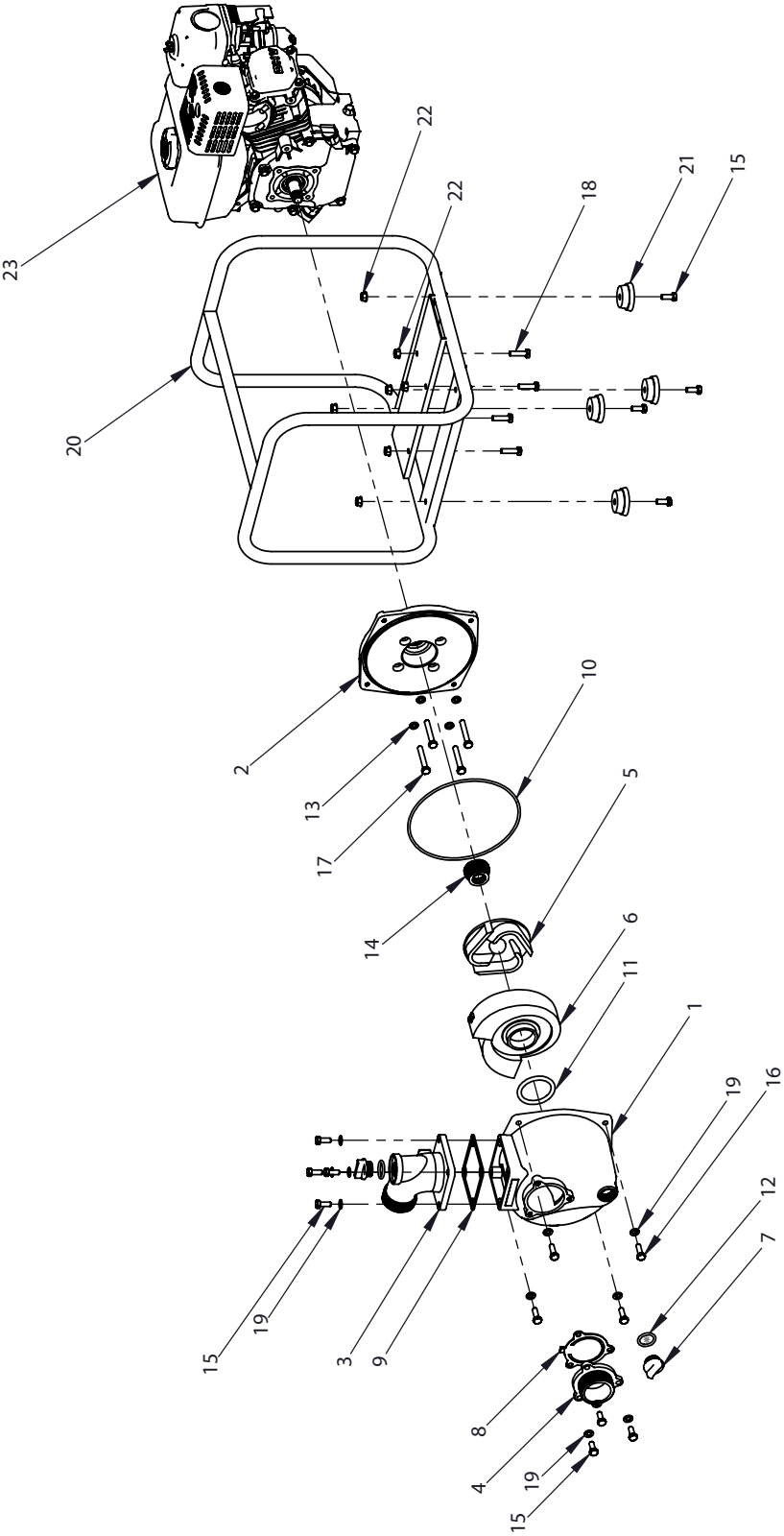
Only use approved Earthquake spare parts.

## TROUBLESHOOTING GUIDE

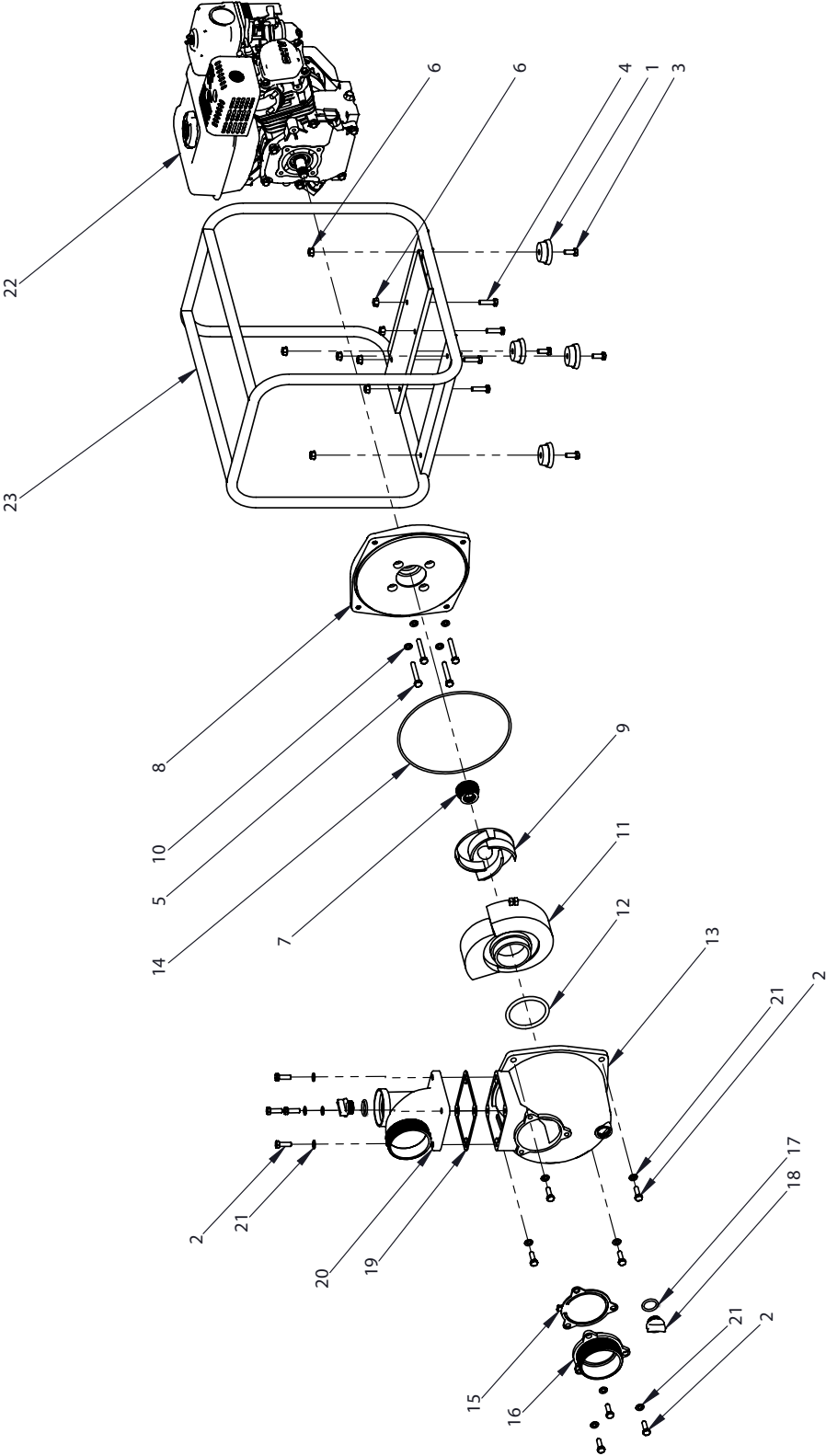
PROBLEM	POSSIBLE CAUSE	REMEDY/ACTION
Engine will not start	1. Power switch off	1. Flip switch to ON position
	2. Spark plug wire disconnected	2. Connect spark plug wire to spark plug
	3. Out of fuel	3. Refuel
	4. Spark plug wet, faulty or improperly gapped	4. Clean, replace or gap spark plug
	6. Fuel line hose not positioned in bottom of fuel tank	6. Push fuel line down into fuel in fuel tank
Engine runs rough, floods during operation	1. Dirty air filter	1. Clean or replace air filter
	2. Choke partially engaged	2. Turn off choke
	3. Carburetor out of adjustment	3. Call factory
Engine is hard to start	1. Stale fuel	1. Drain old fuel and replace with fresh. Use fuel stabilizer at end of season
	2. Spark plug wire loose	2. Make sure spark wire is securely attached to spark plug
	3. Dirty carburetor	3. Clean carburetor, use fuel stabilizer, new gas can
Engine misses or lacks power	1. Clogged fuel tank	1. Remove and clean fuel tank
	2. Clogged air filter	2. Clean or replace air filter
	3. Carburetor out of adjustment or bad	3. Call factory
	4. Spark plug wet, faulty or improperly gapped	4. Clean, replace or gap spark plug
Engine runs, but has no power	1. Choke on	1. Turn off choke after engine is running
	2. Carburetor out of adjustment or bad	2. Call factory
	3. Worn engine lower seal	3. Call factory
Engine runs, then quits	1. Fuel cap not venting	1. Clean or replace fuel cap, check vent
	2. Plugged fuel filter	2. Clean or replace fuel filter
	3. Carburetor out of adjustment or bad	3. Call factory
Engine revs too high	1. Carburetor out of adjustment	1. Call factory
	2. Low fuel in tank	2. Add fuel to tank
Engine runs, but doesn't pump water	1. Pump not primed	1. Prime water pump as directed in manual
	2. Suction hose elevated too high	2. Lower suction hose
	3. Strainer clogged	3. Unclog foreign objects from strainer
	4. Hose(s) damaged	4. Replace hoses

**Contact service provider at 800-345-6007 if above remedies fail.**

## PARTS BREAKDOWN WP6520 PARTS EXPLOSION



## WP6530 PARTS EXPLOSION



**WP6520 PARTS LIST**

KEY	PART #	DESCRIPTION	QTY.
1	--	CASE OUTBOARD PUMP 2 INCH	1
2	--	CASE INBOARD PUMP 2 INCH	1
3	913302	FLANGE DISCHARGE PUMP 2 IN	1
4	913303	FLANGE INLET PUMP 2 IN	1
5	913305	IMPELLER PUMP 2 IN	1
6	913306	VOLUTE PUMP 2 INCH	1
7	92702	CAP PRIMER PUMP 2 IN	2
8	913350	FLAP CHECK PUMP 2 IN	1
9	913350	GASKET DISCHARGE PUMP 2 IN	1
10	913350	O-RING CASE PUMP 2 IN	1
11	913350	O-RING VOLUTE PUMP 2 IN	1
12	92702	GASKET PUMP PRIMER CAP	2
13	913350	WASHER M8 RUBBER	4
14	913346	KIT PUMP SEAL 2 IN	1
15	--	BOLT M8 X 20 HHCS GR 8.8 ZN F-T	11
16	--	BOLT M8 X 25 HHFCS GR8.8 ZN	4
17	--	BOLT M8 X 55 HHFCS GR8.8 ZN	4
18	--	BOLT M8 X 1.25 X 30 HHFCS GR8.8 ZN	4
19	--	WASHER FLAT M8 8.4 X 16 X 1.6 THK GR8.8 ZN	11
20	--	WELDMENT FRAME PUMP 2 INCH	1
21	92701	BASE FOOT RUBBER WATER PUMP	4
22	--	NUT M8 X 1.25 HSF	8
23	92000	ENGINE 196CC	1
--	92772	REPLACEMENT PUMP (NOT SHOWN)	1
--	92779	KIT ATTACHMENTS 2" PUMP (NOT SHOWN)	1

**WP6530 PARTS LIST**

KEY	PART #	DESCRIPTION	QTY.
1	92701	BASE FOOT RUBBER WATER PUMP	4
2	--	BOLT M8 X 25 HHFCS GR8.8 ZN	11
3	--	BOLT M8 X 20 HHCS GR 8.8 ZN F-T	4
4	--	BOLT M8 X 1.25 X 30 HHFCS GR8.8 ZN	4
5	--	BOLT M8 X 55 HHFCS GR8.8 ZN	4
6	--	NUT M8 X 1.25 HSF	8
7	913359	KIT PUMP SEAL 3 INCH	1
8	--	CASE INBOARD PUMP 3 INCH	1
9	913351	IMPELLER PUMP 3 INCH	1
10	913343	WASHER M8 RUBBER	4
11	913326	VOLUTE PUMP 3 INCH	1
12	913343	O RING PUMP VOLUTE 3 INCH	1
13	--	CASE PUMP OUTBOARD 3 INCH	1
14	913343	O RING PUMP CASE 3 INCH	1
15	913343	CHECK FLAP PUMP 3 INCH	1
16	913323	FLANGE INLET PUMP 3 INCH	1
17	92702	GASKET PUMP PRIMER CAP	2
18	92702	CAP PRIMER PUMP	2
19	913343	GASKET PUMP DISCHARGE 3 IN	1
20	913322	FLANGE DISCHARGE PUMP 3 IN	1
21	--	WASHER FLAT M8 8.4 X 16 X 1.6 THK GR8.8 ZN	11
22	92000	ENGINE 196CC	1
23	--	WELDMENT FRAME PUMP 3 INCH	1
--	92773	REPLACEMENT PUMP (NOT SHOWN)	1
--	92781	ATTACHMENT KIT 3" PUMP (NOT SHOWN)	1

**NOTE:** When no part number is listed above, the corresponding part is not serviced. If any of those parts should fail, use P/N 92772 (WP6520) or 92773 (WP6530) to order a replacement pump. Hardware can be purchased at a local hardware store or repair center.



## ***WP6520 AND WP6530 WATER PUMP***

### **WARRANTY TERMS AND CONDITIONS**

#### **PRODUCT WARRANTY: 1-YEAR LIMITED WARRANTY**

Earthquake, a manufacturing company, warrants this **EARTHQUAKE® WATER PUMP** to be free from defects in the material or workmanship for a period of one year from the date of purchase. During the one-year warranty of this product, Earthquake will furnish, at their discretion, parts and labor to correct any defect caused by faulty material or workmanship. Any unit used in a commercial application is covered for a period of 90 days after purchase. This warranty applies to the original owner with a proof of purchase and is not transferable. This guarantee is void unless the warranty card is properly filled out and received by Earthquake within 30 days of purchase or go to [www.getearthquake.com](http://www.getearthquake.com) for online registration.

**For replacement parts, phone 800-345-6007 or go online to [www.getearthquake.com](http://www.getearthquake.com).**

\*These warranties apply only to products which have not been subjected to negligent use, misuse, alteration, accident, unauthorized parts, failure to use proper fuel and oil, or if repairs have been performed at non-authorized service centers. These warranties supersede all other warranties either expressed or implied and all other obligations or liabilities on our part. Earthquake, does not assume, and does not authorize any other person to assume for us, any liability in connection with the sale of our products. To be at "No Charge," warranty work must be sent directly to Earthquake or one of our authorized service centers and performed by them. To obtain warranty service and/or replacement instructions, contact our customer service department at 800-345-6007 Monday through Friday from 8 a.m. to 5 p.m. or visit [www.getearthquake.com](http://www.getearthquake.com). If you choose to ship your product to Earthquake for warranty repair, you must first have prior approval from Earthquake by calling our customer service department at 800-345-6007 for a return material authorization number (RMA#). Under these circumstances, all items must be shipped prepaid. Earthquake will at no charge, repair or replace, at their discretion, any defective part which falls under the conditions stated above. Earthquake retains the right to change models, specifications and price without notice.



Earthquake™, Division of Ardisam, Inc.

1160 8th Avenue, PO Box 666

Cumberland, WI 54829

800-345-6007 | Fax 715-822-2223

E-mail: [info@ardisam.com](mailto:info@ardisam.com)

All weights, specifications and features are approximate and are subject to change without notice. Due to continuous product improvements, product images may not be exact. Items used for props not included. Some assembly may be required.

---

Check for parts online at [www.getearthquake.com](http://www.getearthquake.com) or call 800-345-6007 M-F 8-5