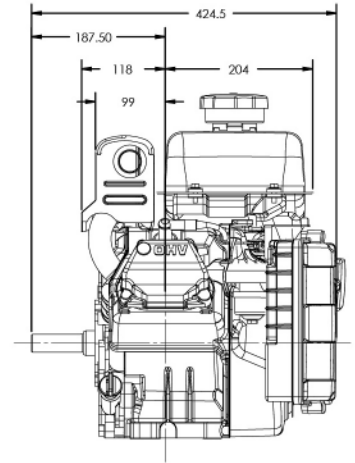
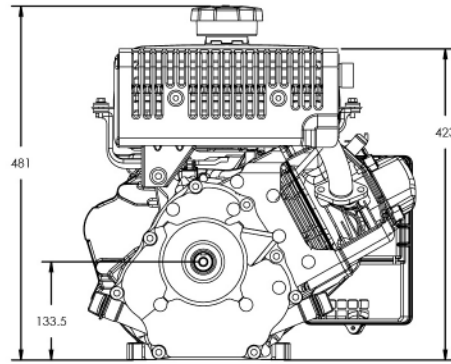
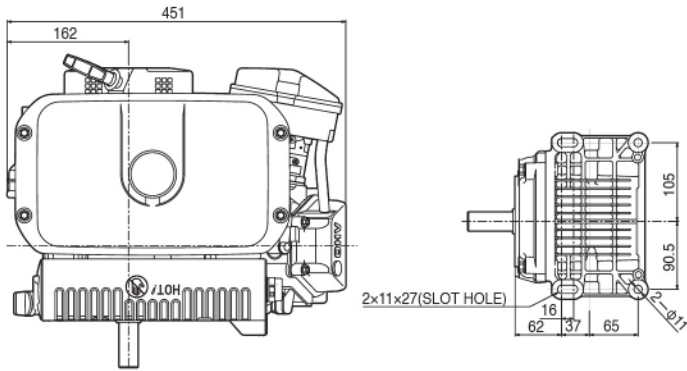
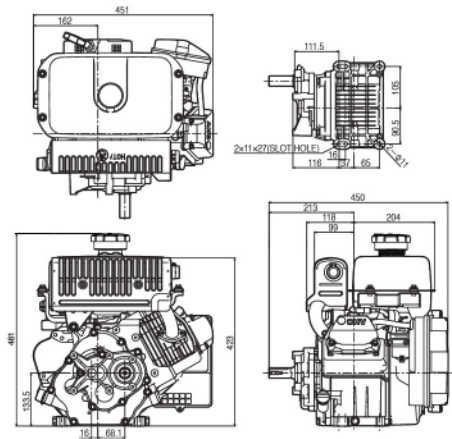


DIMENSIONS (MZ360 PTO A Type)

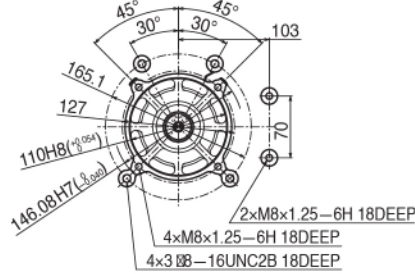


DIMENSIONS (MZ360 Reduction Type)

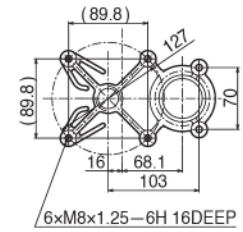


MOUNTING FACE DIMENSIONS

(Direct Type)



(Reduction Type)



PTO SHAFT DIMENSIONS

